

Product Group: Variable Frequency Drive
 Number: AN-VFD-007

Date Issued: 9/12/2017
 Revision: Original

Title: FM50 3-Wire Control

Summary: We will show how to wire and program a FM50 VFD for 3-Wire Control Mode in both the Coast-to-Stop and the Controlled Deceleration (Ramp Stop) Operation.

Procedure:

1. 3-Wire Control, Coast-to-Stop

Wiring schematic:

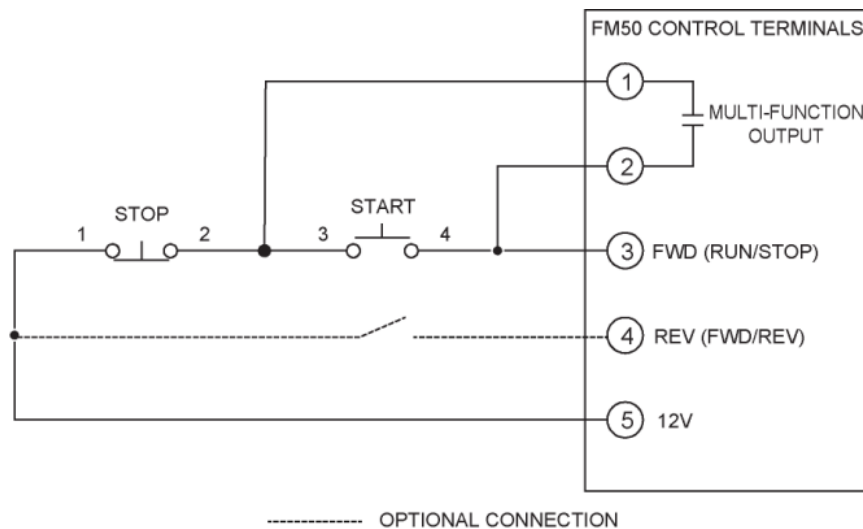


Figure 1

Programming:

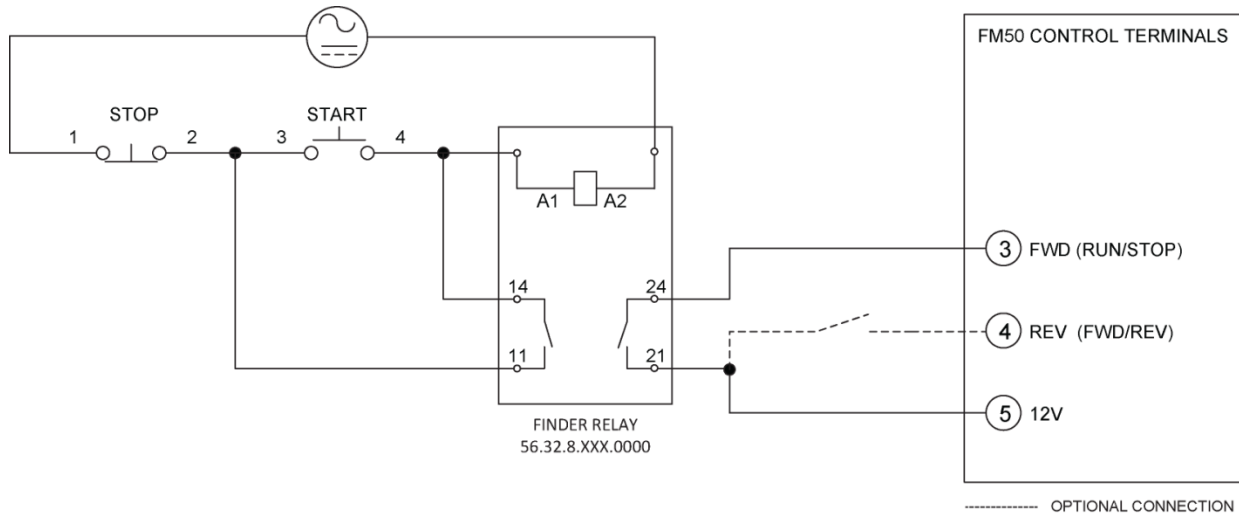
- Set Function Code F_03 to 001
- Set Function Code F_10 to 001
- Set Function Code F_14 to 001
- Set Function Code F_21 to 001

Once receiving the Stop command, the AC Drive stops output immediately and the motor will enter a coast-to-stop state until it comes to a complete stop.

Information herein is provided by FactoryMation Technical Support "as is" with no guarantee of any kind. Customer is solely responsible for validating application, operation, maintenance, and code compliance and other information and data relating to the installation, operation, safety and maintenance of all components. FactoryMation does not guarantee that this information is suitable for your application, nor does FactoryMation assume any responsibility for your product design, installation, testing, or operation.

2. 3-Wire Control, Ramp to Stop

Wiring schematic:



Programming:

- Set Function Code F_03 to 001
- Set Function Code F_10 to 001
- Set Function Code F_14 to 001

Once receiving the Stop command, the AC Drive decelerates to a stop based on the values in Function Codes: F_02, F_15, F_16, and F_17.

Information herein is provided by FactoryMation Technical Support "as is" with no guarantee of any kind. Customer is solely responsible for validating application, operation, maintenance, and code compliance and other information and data relating to the installation, operation, safety and maintenance of all components. FactoryMation does not guarantee that this information is suitable for your application, nor does FactoryMation assume any responsibility for your product design, installation, testing, or operation.