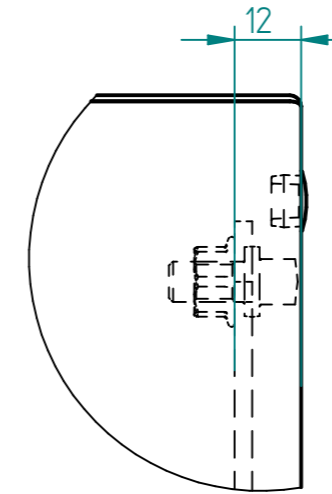
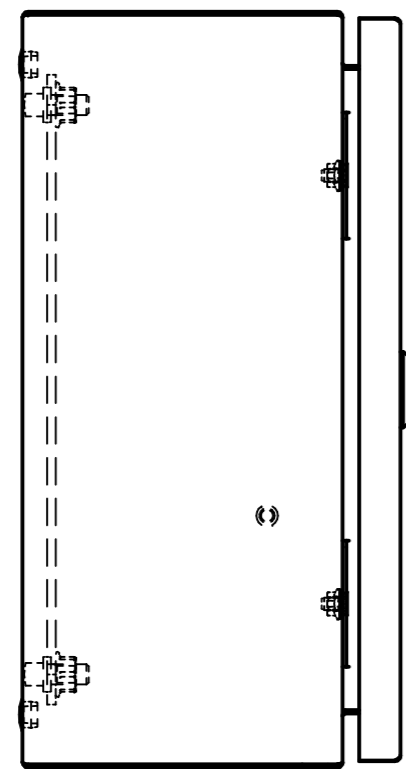


Top view

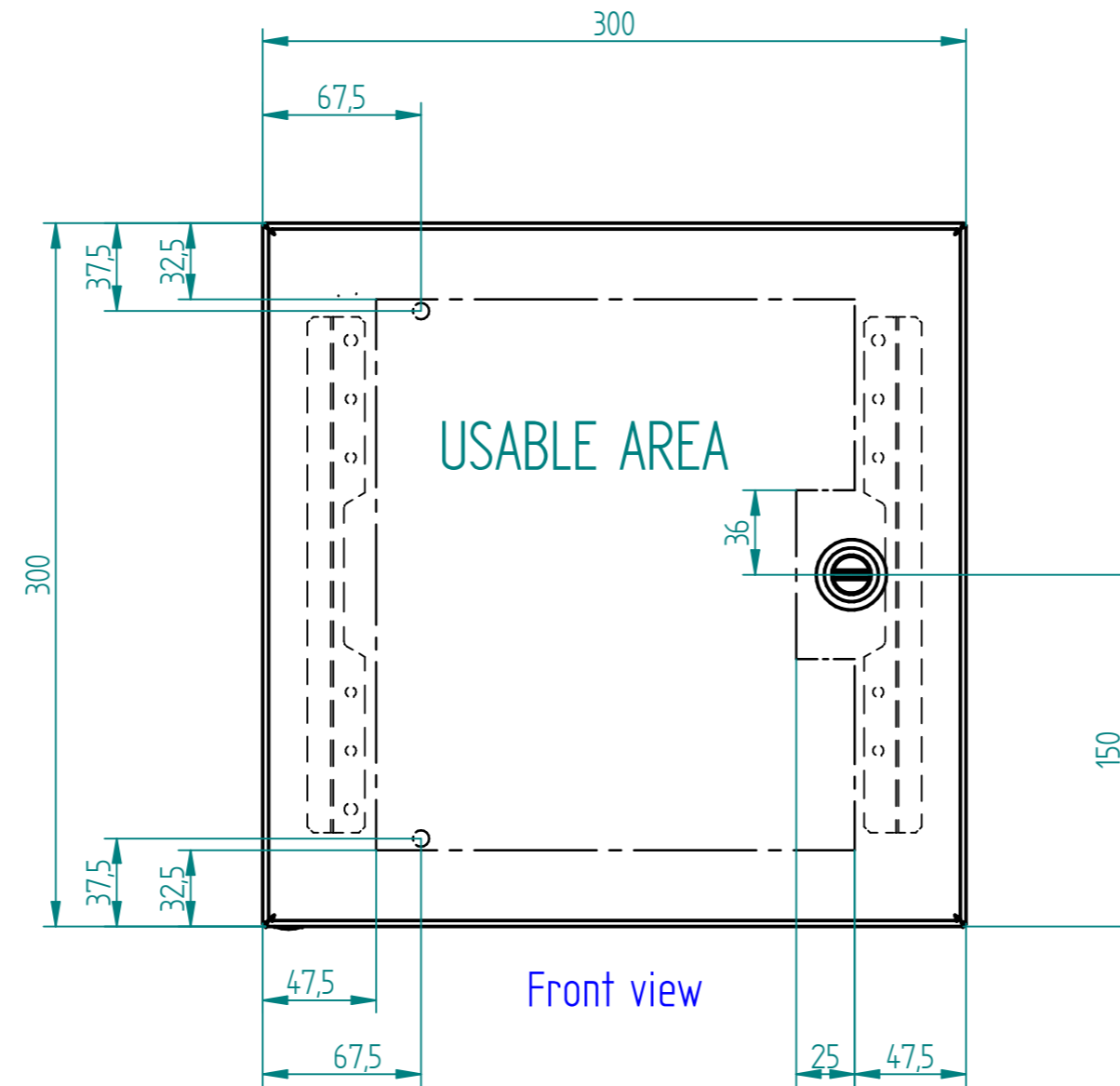


DETAIL A

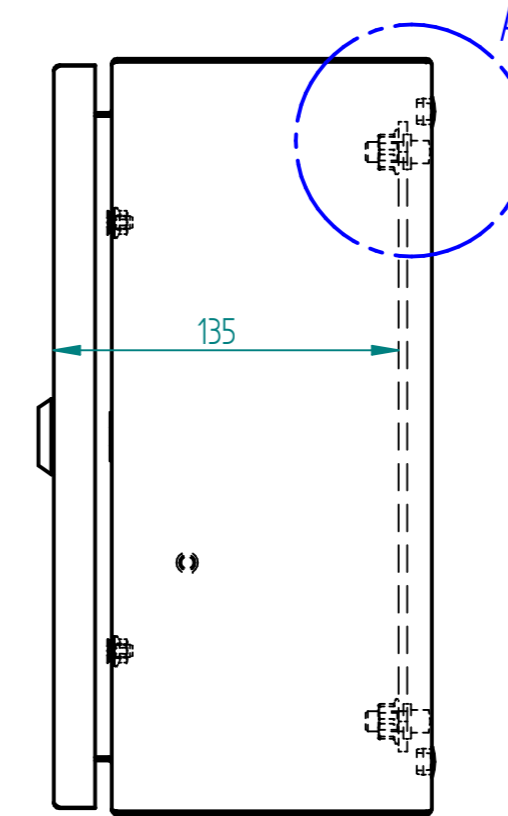
| ENCLOSURE SPECIFICATIONS |                                  |
|--------------------------|----------------------------------|
| BODY THICKNESS           | 1.5 mm                           |
| DOOR THICKNESS           | 1.5 mm                           |
| FINISH                   | RAL 7035 Textured Powder Coating |
| LOCK                     | Slotted, 1/4 turn                |
| HINGES                   | 135° Opening, Reversible         |
| MATERIAL                 | Mild Steel                       |
| PROTECTION               | IP66   Type 1, 3R, 4, 12   IK10  |
| UL FILE NUMBER           | E351779                          |



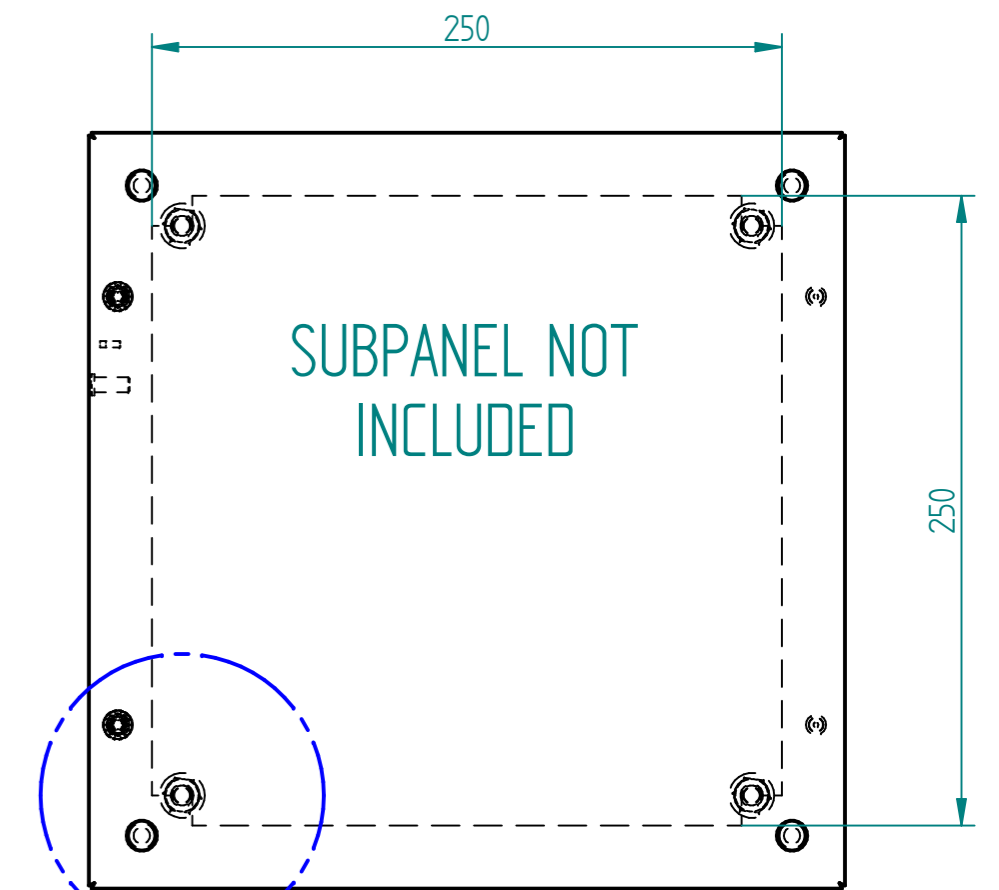
Left view



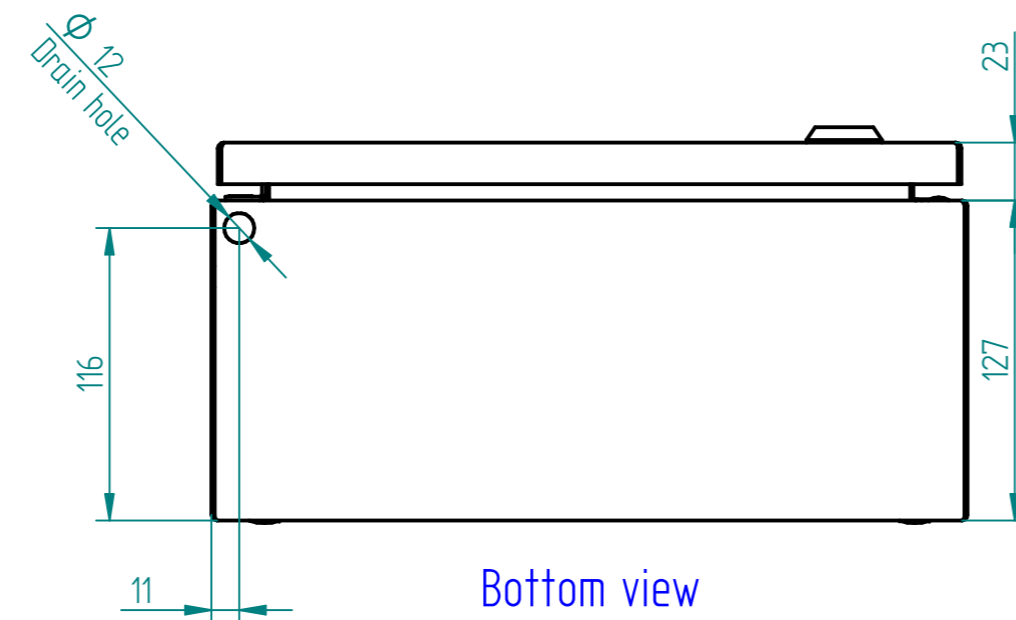
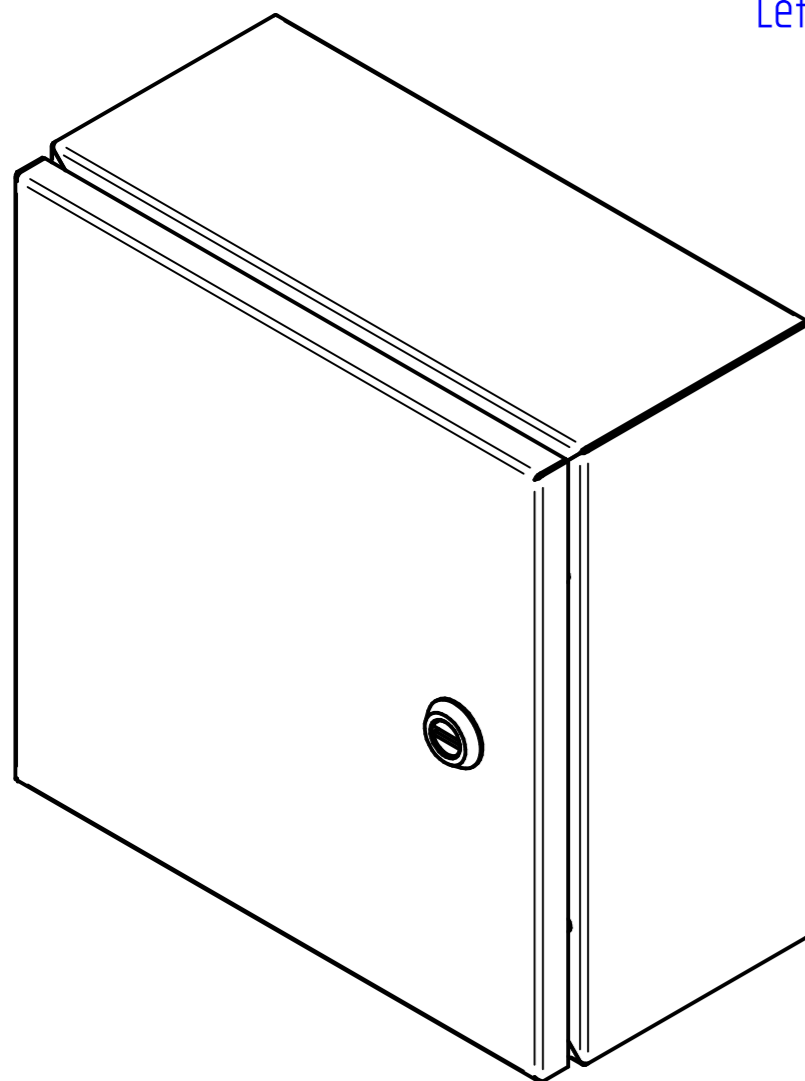
Front view



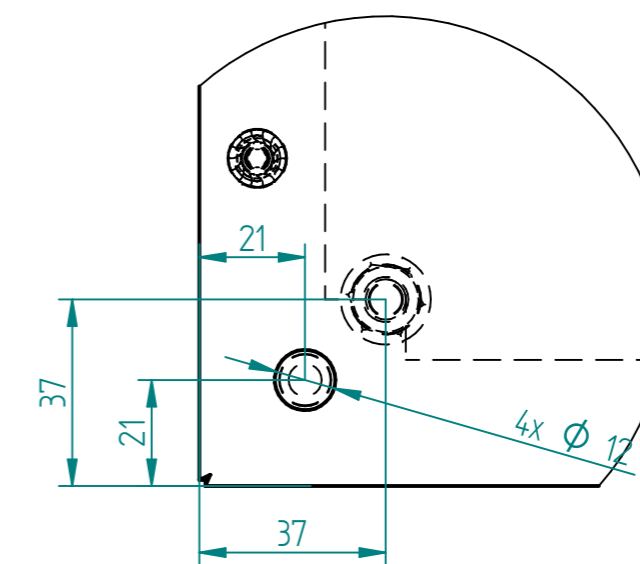
Right view



Rear view



Bottom view



DETAIL B

|  |                               |                      |        |       |       |              |            |
|--|-------------------------------|----------------------|--------|-------|-------|--------------|------------|
|  | Product : FUS                 |                      | Format | Scale | Sheet | Rev.         |            |
|  | Description : FUS 300x300x150 |                      | A2     | 1:3   | 1     | 1            |            |
|  |                               | Product : FUS0303015 |        |       |       |              |            |
| We reserve all rights in this document and in the information contained. Use or disclosure to third parties without express authorization is strictly forbidden. |                               |                      |        |       |       | Dimension mm | 12/21/2020 |