

### PRODUCT OVERVIEW

#### Pilot Device Features:

- 22mm and 30mm Operators
- Metal bezels on most models for a robust construction
- UL Type 4X, IP66 Rated
- Operators include locking ring and 3-position snap-on flange for fast installation and removal
- Non-illuminated operators accommodate up to 3 contact blocks (sold separately)
- Illuminated operators accommodate up to 2 contact blocks + 1 lamp block (sold separately)



### SPECIFICATIONS

#### Contact Ratings

Rated Insulation Voltage		600V					
Rated Operating Voltage		12V	24V	120V	240V	380V	480V
Resistive Load	AC-12	10A	10A	10A	6A	3.8A	3A
	AC-15	10A	10A	6A	3A	1.9A	1.5A
Rated Operating Voltage		12V	24V	125V	-	-	-
Resistive Load	DC-12	8A	2.2A	1.1A	-	-	-
	DC-13	4A	1.1A	0.55A	-	-	-

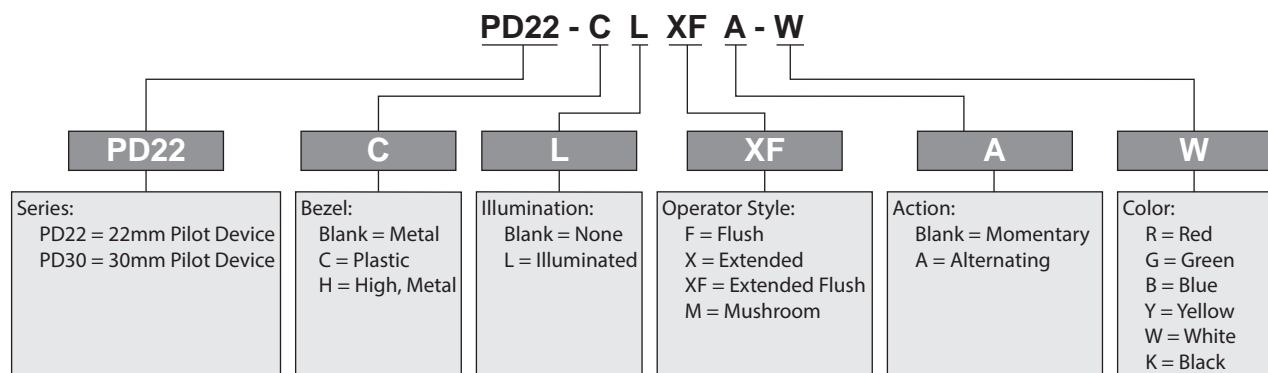
#### LED Lamp Ratings

	AMBER	GREEN	RED	BLUE	WHITE	
Current	12V AC/DC	10mA	2.2mA	10mA	12mA	4.5mA
	24V AC/DC	10mA	2.2mA	10mA	12mA	4.5mA
Usage	120V AC	10.3mA	2.6mA	9.7mA	8.3mA	5.5mA
	220V AC	8.8mA	1.9mA	8.8mA	9.1mA	4.6mA
Bulb Life	50,000 hrs					

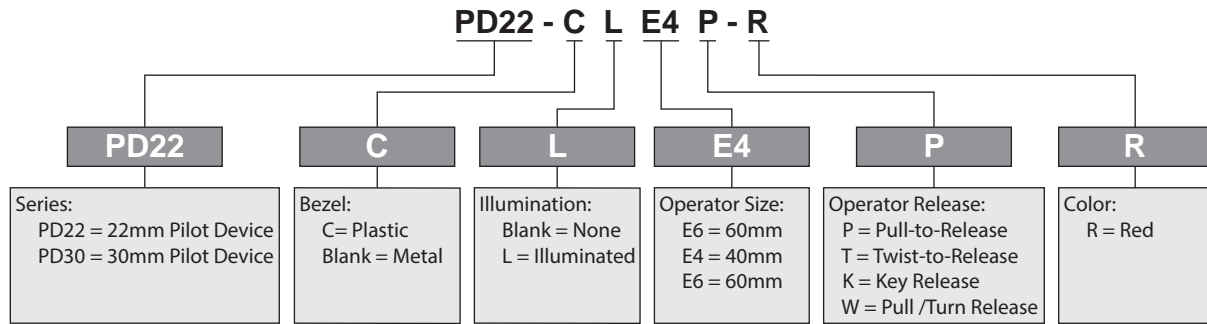
#### General Specifications

Operating Temperature	-13° to 131°F (-25° to 55°C)	
Storage Temperature	-49° to 185°F (-45° to 85°C)	
Operating Humidity	45 to 85% non-condensing	
Protection Degree	UL TYPE 4X, IP66	
UL File	E468296	
Insulation Resistance	100MΩ	
Dielectric Strength	Contact Block	2500 VAC
	Pilot Light	2000 VAC
Vibration Resistance	E-Stop	10 to 500Hz peak-to-peak: 0.35mm
	Other Operators	30Hz peak-to-peak: 1.5mm
Shock Resistance	E-Stop	15.3G
	Other Operators	10.2G
Mechanical Endurance	E-Stop	400,000 ops.
	Pushbutton	5,000,000 ops
	Selector Switch	400,000 ops

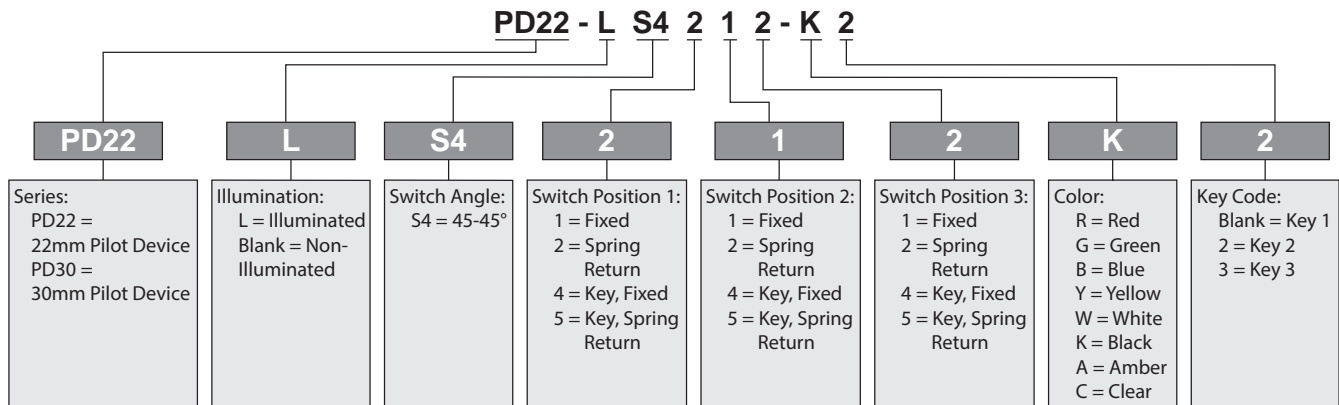
### PUSHBUTTON PART NUMBERS



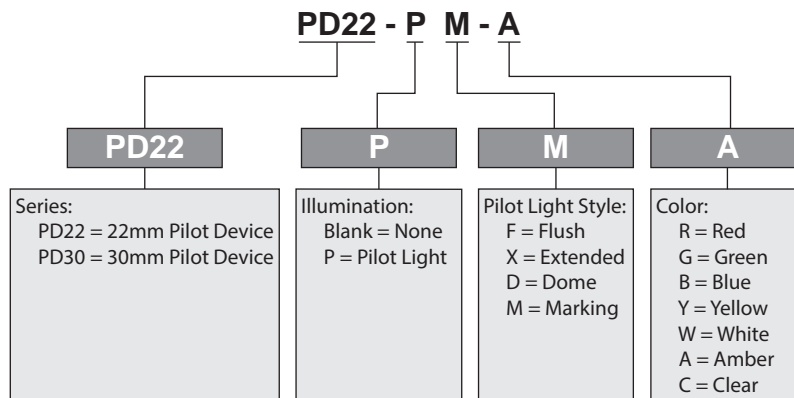
## EMERGENCY STOP OPERATOR PART NUMBERS



## SELECTOR SWITCH PART NUMBERS

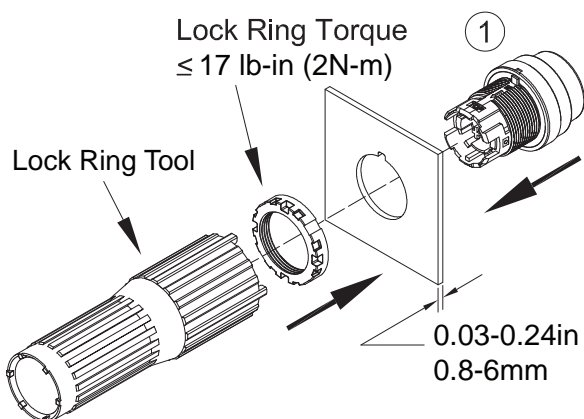


## PILOT LIGHT PART NUMBERS

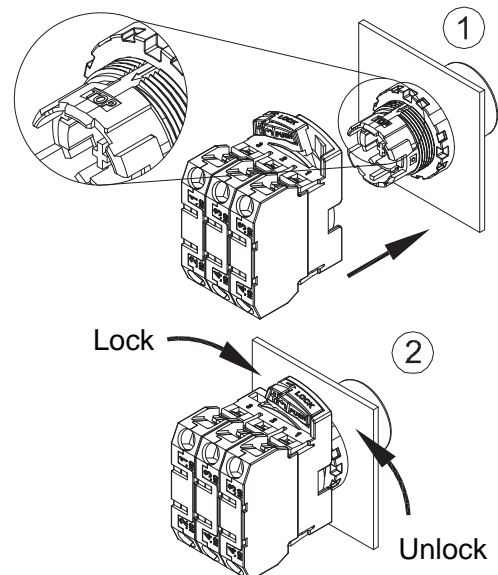


## PRODUCT INSTALLATION

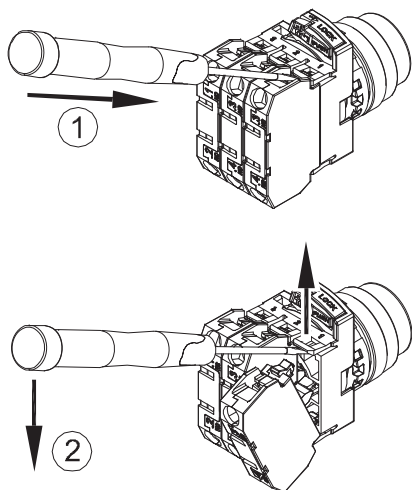
### Operator Installation



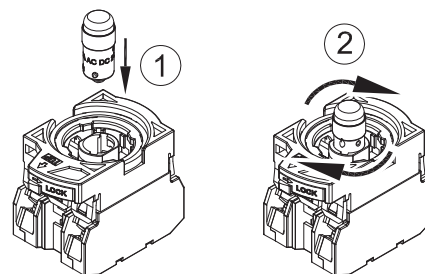
### Flange Installation



## Contact Block Removal

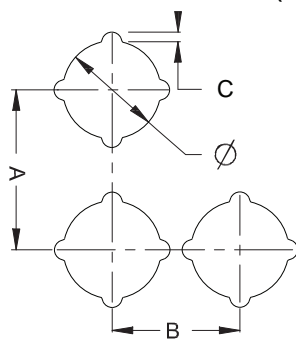


## LED Installation



## PRODUCT DIMENSIONS

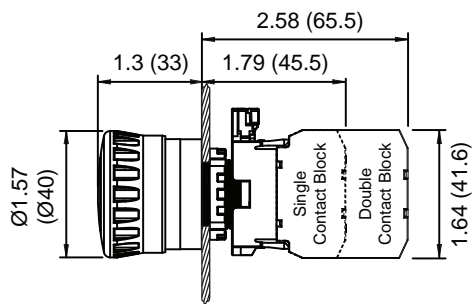
### Cutout Dimensions



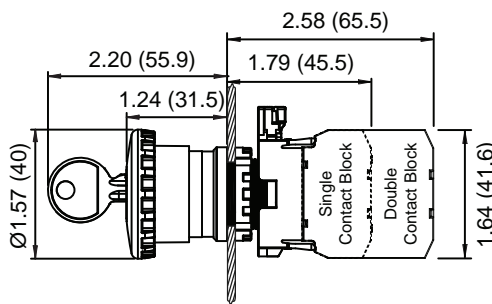
Operator	A	B	C	Ø mm
Emergency Stop	> 50	> 50	1.6 max	22.3 +0.4 -0.0
Pushbutton	> 50	> 30		
Selector Switch Key Selector Switch	> 50	> 40		
40mm Mushroom	> 50	> 40	2.0 max	30.5 +0.4 -0.0
Pushbutton	> 50	> 35		
Selector Switch Key Selector Switch	> 50	> 40		

### 22mm Operators

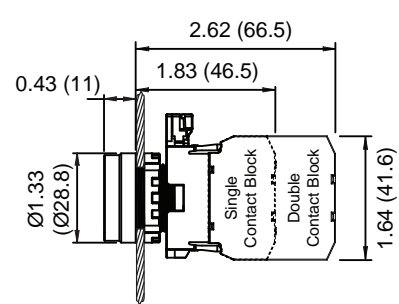
Inch (mm)



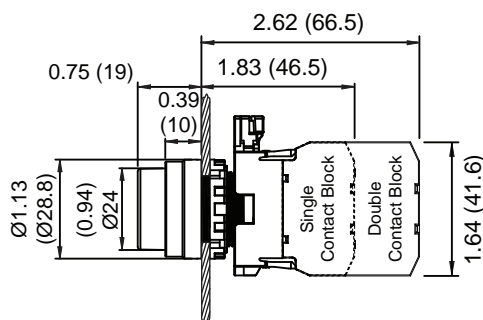
40mm E-Stop



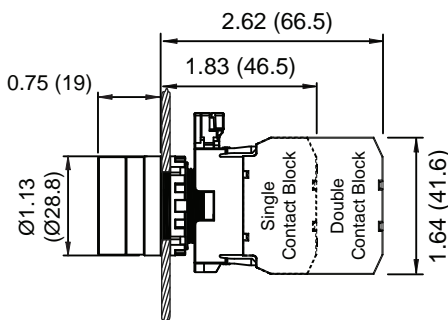
40mm Key E-Stop



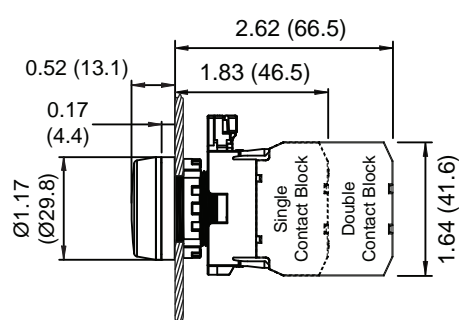
Flush Operator



Extended Operator



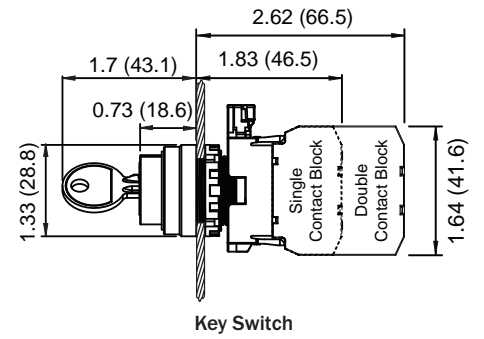
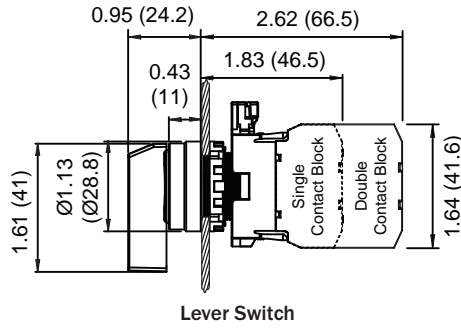
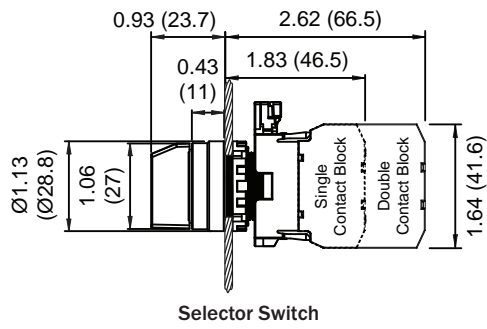
Extended Operator with Shroud



Pilot Light

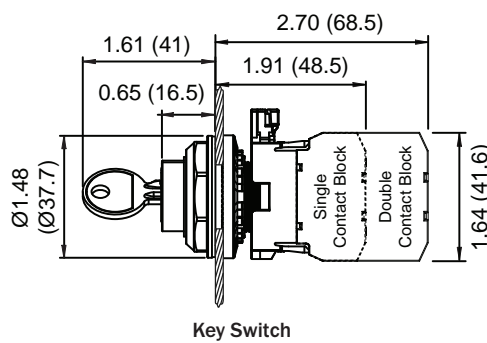
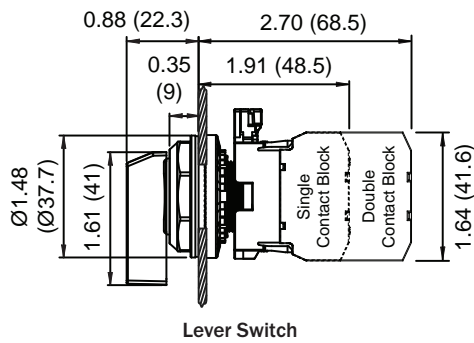
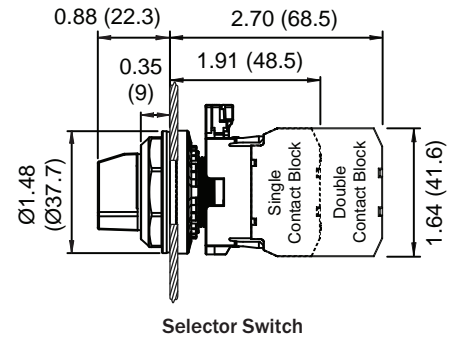
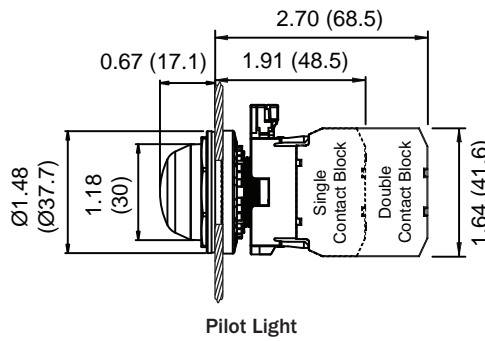
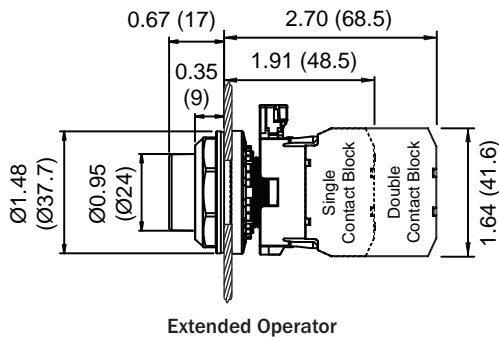
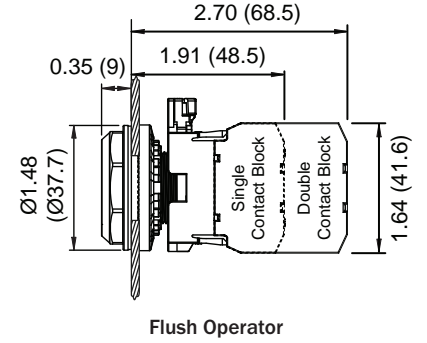
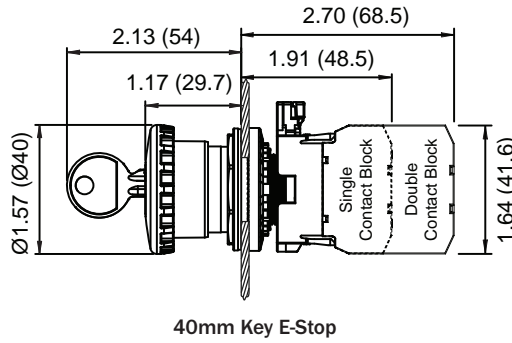
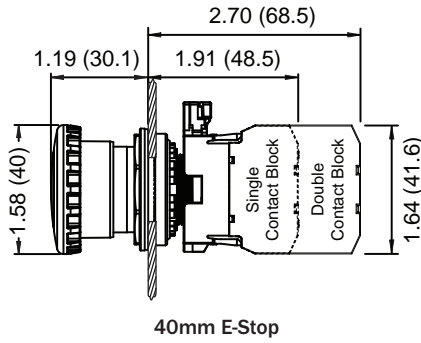
## 22mm Operators Cont'd

Inch (mm)



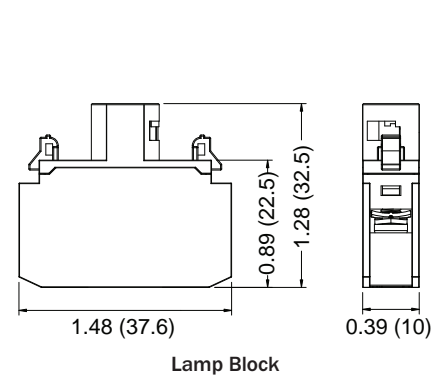
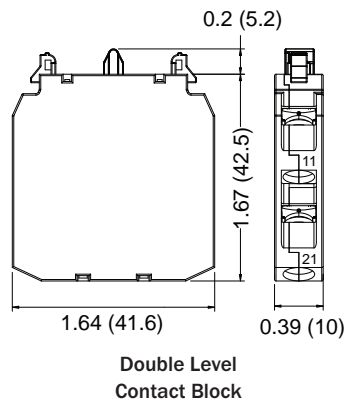
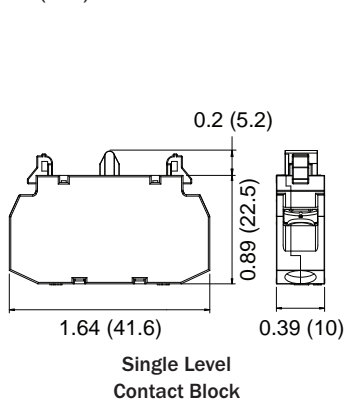
## 30mm Operators

Inch (mm)



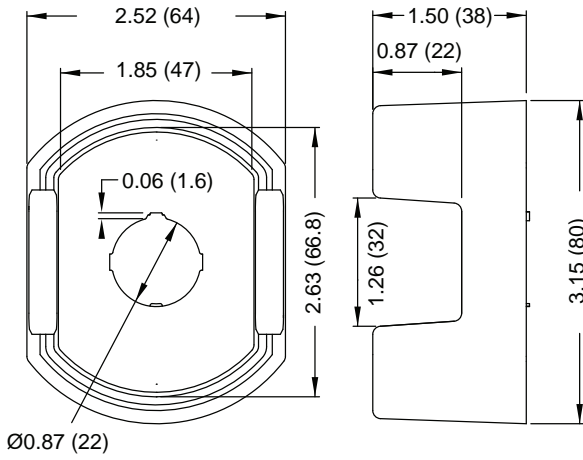
## Contact and Lamp Blocks

Inch (mm)

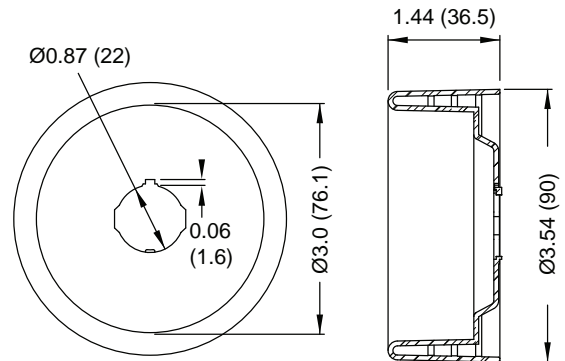


Shrouds and Protective Covers

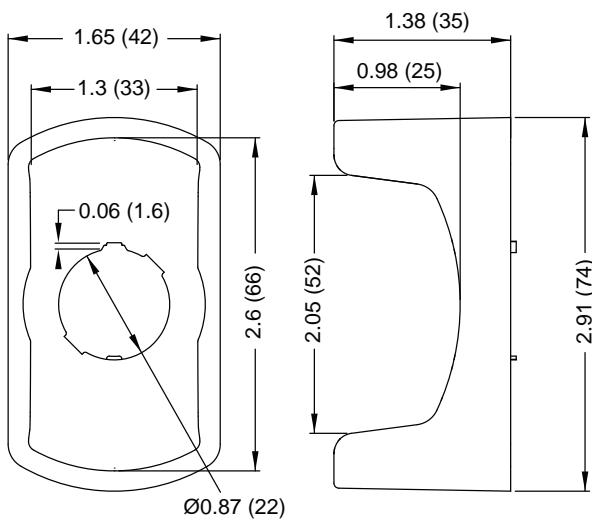
Inch (mm)



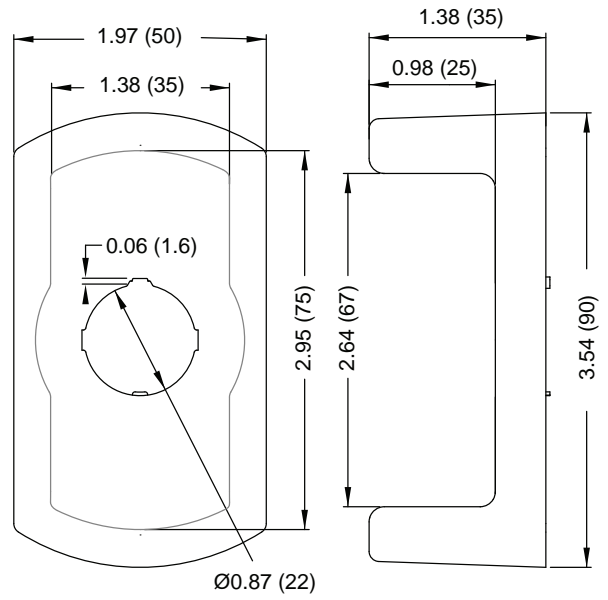
PDA-SHD1



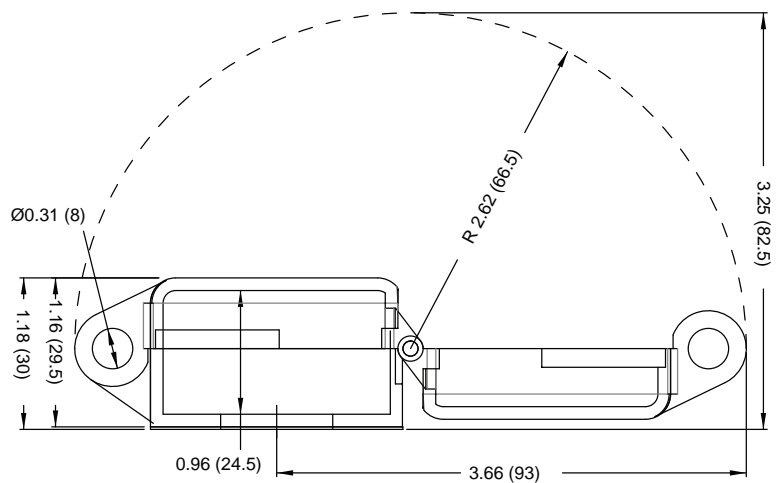
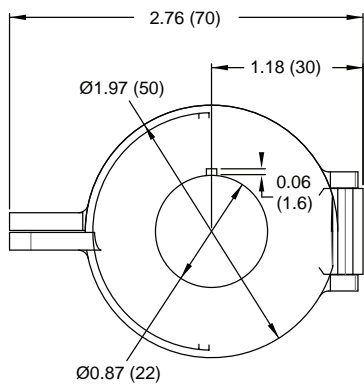
PDA-SHD2



PDA-SHD3



PDA-SHD4



PDA-COVER