

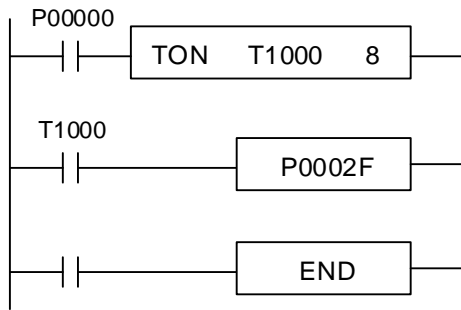
Appendix 2 Measurement and Precision of Timer

Appendix 2 Measurement and Precision of Timer

The timer's internal coil is On or Off if Timer instruction is executed and resets the present value after End instruction is executed to make contact point On or Off.

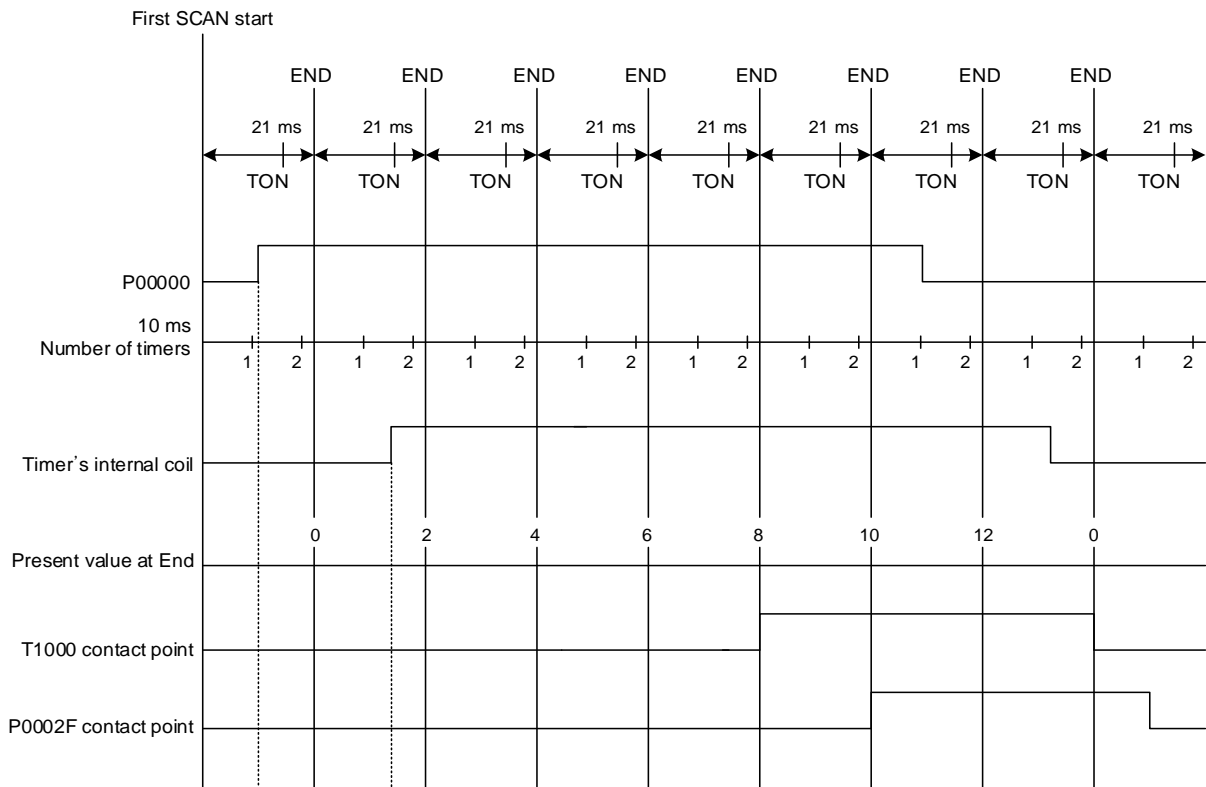
If input condition is Off, timer's internal coil will be Off, timer's present value will be 0, and contact point Off after End Instruction is executed.

Program Example



In 80ms after P00000 is On, contact point T1000 & P0002F will be On. (T1000 is 10ms timer)

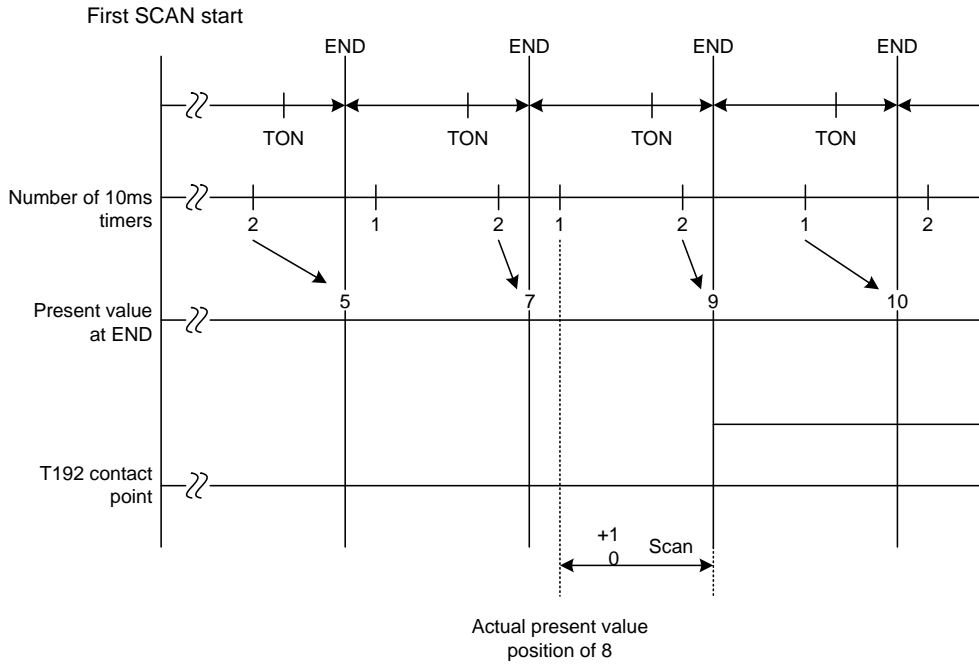
The precision of 100ms timer is identical to 10ms timer.



Appendix 2 Measurement and Precision of Timer

Supplement

* In case of 1



* In case of 2

