

Product Group: SG2 Programmable Relay  
Number: AN-SG2-011

Date Issued: 08/16/2017  
Revision: B

### Title: Compatible Sensor Types

**Summary:** We will identify and give examples of the sensor types that are compatible for use with the SG2 Programmable Logic Relay.

#### SG2-\*\*\*\*-D (Figure 2) or SG2-\*\*\*\*-12D Models

- 3-wire DC sensor with a PNP output type

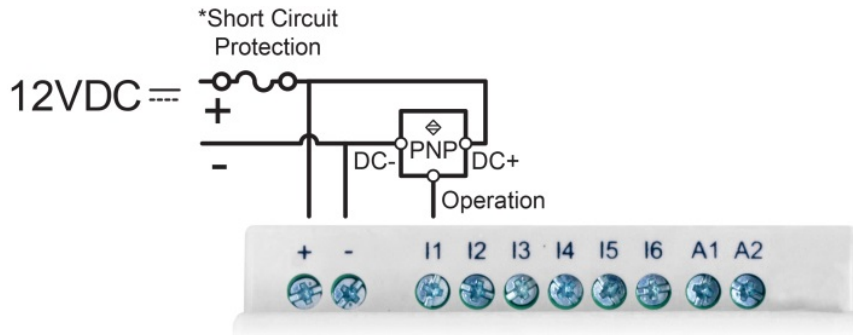


Figure 1

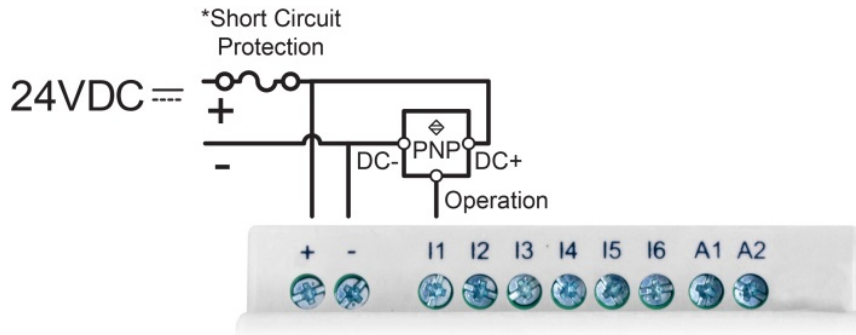


Figure 2

Information herein is provided by FactoryMation Technical Support "as is" with no guarantee of any kind. Customer is solely responsible for validating application, operation, maintenance, and code compliance and other information and data relating to the installation, operation, safety and maintenance of all components. FactoryMation does not guarantee that this information is suitable for your application, nor does FactoryMation assume any responsibility for your product design, installation, testing, or operation.

**NOTE**

2-wire sensor types have leakage current that cause false activation of the SG2 inputs.

**SG2-\*\*\*\*-12D, SG2-\*\*\*\*-D and SG2-\*\*\*\*-A Models**

Sensor with a dry relay contact output.

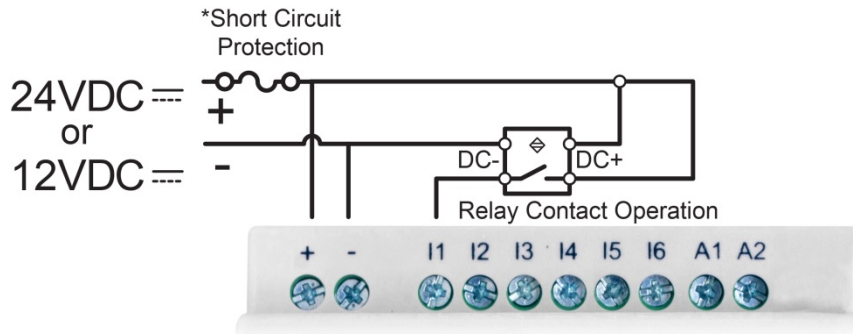


Figure 3

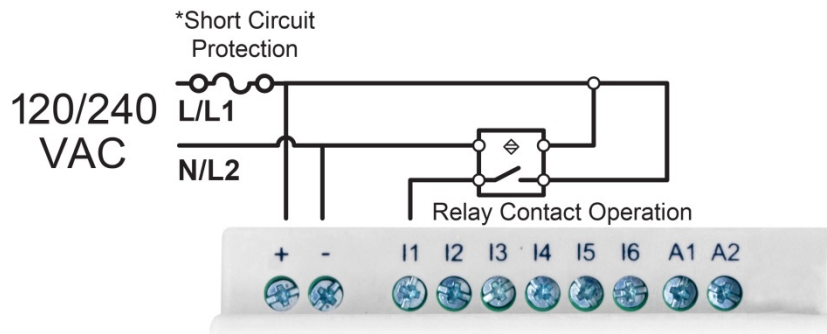


Figure 4

Information herein is provided by FactoryMation Technical Support "as is" with no guarantee of any kind. Customer is solely responsible for validating application, operation, maintenance, and code compliance and other information and data relating to the installation, operation, safety and maintenance of all components. FactoryMation does not guarantee that this information is suitable for your application, nor does FactoryMation assume any responsibility for your product design, installation, testing, or operation.