

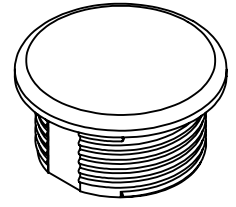
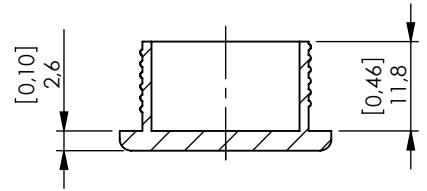
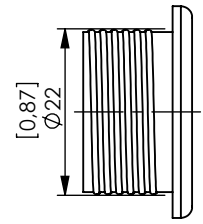
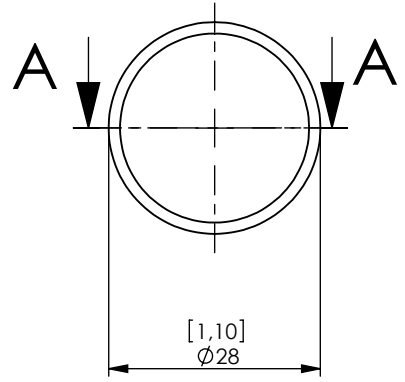
F E D C B A


1

2

3

4



ATR			
06/11/2009	1 : 1	mm [inches]	